

TL - ACCESSORIES

Hi-Force offers a range of extensions for use with ToughLift jacking systems. Slip lock extensions can be used in multiples up to the maximum height as specified in the table below. Load lock extensions can only be used one at a time, however, they can be used in conjunction with slip lock extensions.

Both extension options must terminate with a flat or swivel tilting saddle on the top of the extension stack.

SLIP LOCK EXTENSIONS



Length 180mm	Length 300mm	Length 400mm	Length 485mm	Length 500mm	To suit jack model	Recom. max. extension height in mm
SLE180-50	SLE300-50	SLE400-50	*	SLE500-50	TL050A255	680
SLE180-50	SLE300-50	SLE400-50	*	SLE500-50	TL050E255	680
SLE180-100	SLE300-100	*	SLE485-100	*	TLA10016	485
SLE180-100	*	*	*	*	TLA10021	180
SLE180-150	SLE300-150	*	SLE485-150	*	TLA15015	485
SLE180-150	*	*	*	*	TLA15020	180
SLE180-200	SLE300-200	SLE400-200	*	SLE500-200	TLA20015	500
SLE180-200	*	*	*	*	TLA20027	180

* = Exceeds recommended maximum extension height

LOAD LOCK EXTENSIONS



Length 180mm	Length 300mm	Length 400mm	Length 485mm	Length 500mm	To suit jack model	Recom. max. extension height in mm
LLE180-50	LLE300-50	LLE400-50	*	LLE500-50	TL050A255	680
LLE180-50	LLE300-50	LLE400-50	*	LLE500-50	TL050E255	680
LLE180-100	LLE300-100	*	LLE485-100	*	TLA10016	485
LLE180-100	*	*	*	*	TLA10021	180
LLE180-150	LLE300-150	*	LLE485-150	*	TLA15015	485
LLE180-150	*	*	*	*	TLA15020	180
LLE180-200	LLE300-200	LLE400-200	*	LLE500-200	TLA20015	500
LLE180-200	*	*	*	*	TLA20027	180

* = Exceeds recommended maximum extension height

LOAD BLOCK SETS



Load block sets Model number	Capacity tonnes	Lock out Height (mm)	Load Blocks	Adaptor	To suit jack model
TLB50-250	50	250	3	1	TL050A255
TLB50-250	50	250	3	1	TL050E255
TLB100-405	100	400	5	1	TLA10016
TLB100-530	100	525	7	1	TLA10021
TLB150-390	150	385	5	1	TLA15015
TLB150-520	150	515	7	1	TLA15020
TLB200-380	200	375	5	1	TLA20015
TLB200-685	200	675	9	1	TLA20027

SPACERS

Base mounted spacers increase the closed height by 300mm. This optional extra is available for Hi-Force ToughLift model TLA20015 only and weighs 78.5 kg. Please suffix model number with "E" when ordering.

TL - ACCESSORIES

SADDLES

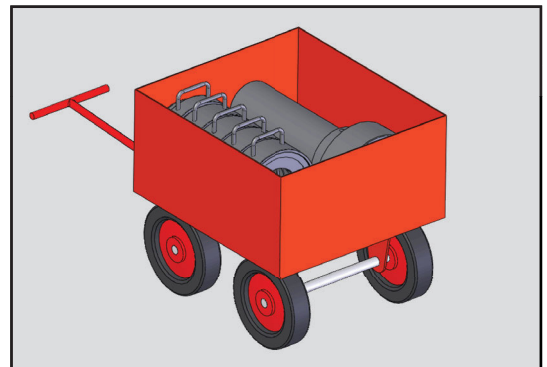
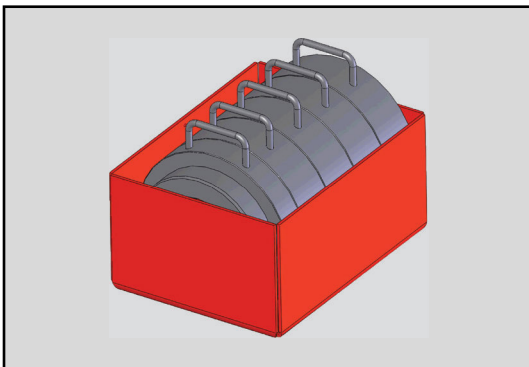
Hi-Force ToughLift jacks are fitted with tilting saddles as standard. Flat saddles are also available and can be supplied as optional extra. Both types of saddle (flat or tilting swivel) can be easily fitted to all slip lock and load lock extensions. See below table for flat saddle model numbers.



Flat saddle Model number	Capacity tonnes	To suit Jack Model
TLF50	50	TLO50A255
TLF50	50	TLO50E255
TLF150	100	TLA10016
TLF150	100	TLA10021
TLF150	150	TLA15015
TLF150	150	TLA15020
TLF200	200	TLA20015
TLF200	200	TLA20027

TOOL BOXES

To store your ToughLift accessories safely why not consider ordering a load block box or tool box made specifically to suit your accessory set. Hi-Force offers ToughLift accessory tool boxes made to special order with a fast delivery time to help maintain the working condition and integrity of your ToughLift system.



TOUGHLIFT CONFIGURATION EXAMPLES

