

TPE | ELECTRIC DRIVEN TORQUE WRENCH PUMPS - PREMIUM LINE

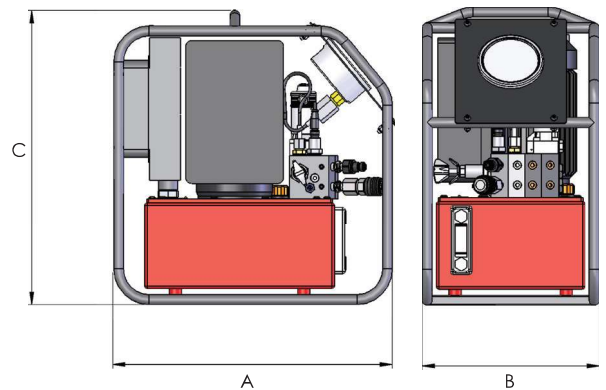


Working pressure 700 bar

High flow 3-stage pump unit

Compact and lightweight

- ▶ Low noise operation (<88 db)
- ▶ Supplied fitted with one set of quick connect couplers
- ▶ Automatically activated oil cooling heat exchanger fitted as standard
- ▶ Adjustable torque setting pressure relief valve with locking nut
- ▶ Analogue or digital gauge options
- ▶ Remote hand pendant controller with 5 metres cable for easy operation
- ▶ Choice of manual operation with auto retract or fully automatic operation
- ▶ Multi-outlet 4-way split block for simultaneous operation of up to 4 torque wrenches
- ▶ Factory fitted roll bar protection and carrying frame



Model number	Power supply	Pressure gauge	Gauge reading	Flow rate (l/m)			Oil capacity (litres)	Max. oil temp (°C)	Weight incl. oil (kg)	Dimensions (mm)		
				1 st stage (0-65 bar)	2 nd stage (65-325 bar)	3 rd stage (325-700 bar)				A	B	C
TPE15A	110V-1Ph-50 Hz	analogue	bar/psi	6.5	1.5	0.75	7	80°	39	456	286	476
TPE15D	110V-1Ph-50 Hz	digital	bar/psi/Nm/lbf.ft	6.5	1.5	0.75	7	80°	39	456	286	476
TPE16A	120V-1Ph-60 Hz	analogue	bar/psi	7.8	1.8	0.9	7	80°	39	456	286	476
TPE16D	120V-1Ph-60 Hz	digital	bar/psi/Nm/lbf.ft	7.8	1.8	0.9	7	80°	39	456	286	476
TPE25A	230V-1Ph-50 Hz	analogue	bar/psi	6.5	1.5	0.75	7	80°	39	456	286	476
TPE25D	230V-1Ph-50 Hz	digital	bar/psi/Nm/lbf.ft	6.5	1.5	0.75	7	80°	39	456	286	476
TPE26A	230V-1Ph-60 Hz	analogue	bar/psi	7.8	1.8	0.9	7	80°	39	456	286	476
TPE26D	230V-1Ph-60 Hz	digital	bar/psi/Nm/lbf.ft	7.8	1.8	0.9	7	80°	39	456	286	476
TPE45A	400V-3Ph-50 Hz	analogue	bar/psi	6.5	1.5	0.75	7	80°	39	456	286	476
TPE45D	400V-3Ph-50 Hz	digital	bar/psi/Nm/lbf.ft	6.5	1.5	0.75	7	80°	39	456	286	476
TPE46A	480V-3Ph-60 Hz	analogue	bar/psi	7.8	1.8	0.9	7	80°	39	456	286	476
TPE46D	480V-3Ph-60 Hz	digital	bar/psi/Nm/lbf.ft	7.8	1.8	0.9	7	80°	39	456	286	476

Optional coupler sets for simultaneous operation of multiple torque wrenches (one set supplied fitted as standard)

Model number	Description
TP-CS1	Single set of male/female flat face couplers, for simultaneous operation of two hydraulic wrenches
TP-CS2	Double set of male/female flat face couplers, for simultaneous operation of three hydraulic wrenches
TP-CS3	Triple set of male/female flat face couplers, for simultaneous operation of four hydraulic wrenches