

**SCP | SELF-CONTAINED HYDRAULIC PULLERS**

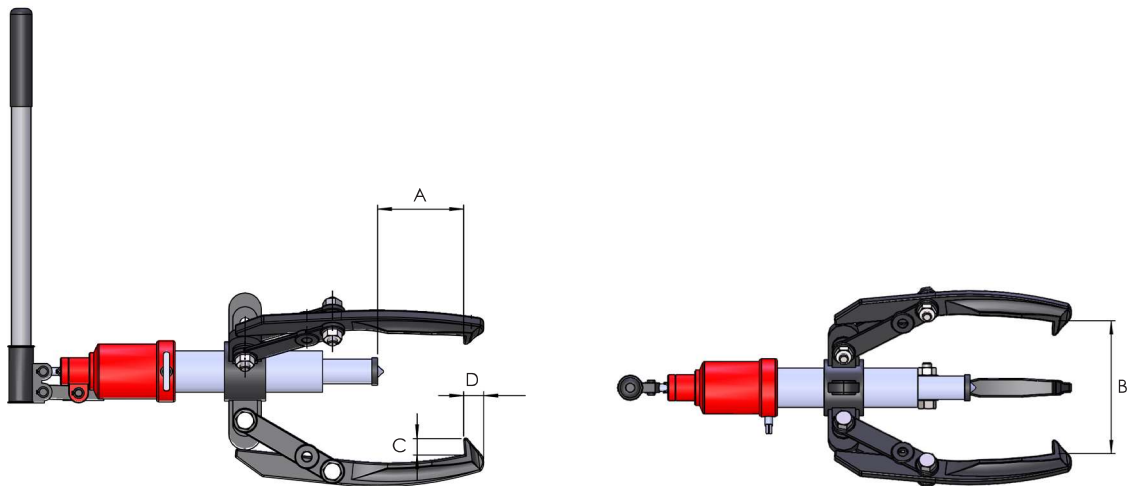


Capacities from 10 to 30 tonnes

Self-contained hydraulic system

Operates in any position

- ▶ Available in 3-jaw configuration only
- ▶ Integrated hydraulic cylinder, pump and puller assembly for easy operation
- ▶ Ergonomic 360° rotating handle for easy positioning during use
- ▶ Incorporates safety valve to minimise the risk of puller overload
- ▶ Spring-loaded centre point for easy centering of the puller to the shaft
- ▶ Supplied complete with piston rod extension piece and storage case



Model number	Capacity (tonnes)	Type of puller	Hydraulic stroke (mm)	Piston rod extension (mm)	Weight (kg)	Dimensions (mm)				
						A	B (min)	B (max)	C	D
SCP103	10	3-way jaw	82	50	11.6	195	30	310	22	6
SCP203	20	3-way jaw	82	100	23.7	275	50	430	29	10
SCP303	30	3-way jaw	110	150	50.0	405	100	610	38	36