

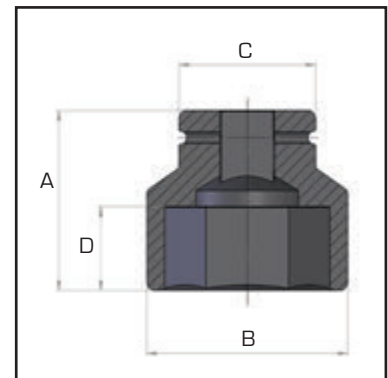
## MS - METRIC HEXAGON AF SIZE HEAVY DUTY SOCKETS



Square drives from  $\frac{3}{4}$ " to  $2\frac{1}{2}$ "

Across flat sizes up to 145mm

Supplied complete with retaining ring and pin



Hi-Force high quality metric size heavy duty sockets are designed and manufactured for use with all Hi-Force bolting products, including hydraulic torque wrenches and impact wrenches. The MS range of metric impact sockets offers 56 models, with square drives from  $\frac{3}{4}$ " to  $2\frac{1}{2}$ " and across flat sizes up to 145mm. Long length, bi-hexagonal and special sockets are available on request.

F

Model number	Square drive	Nut AF mm	Dimensions in mm			
			A	B	C	D
MS2-24	$\frac{3}{4}$ "	24	50	39	44	16
MS2-27	$\frac{3}{4}$ "	27	54	43	44	16
MS2-30	$\frac{3}{4}$ "	30	54	47	44	23
MS2-32	$\frac{3}{4}$ "	32	56	49	44	23
MS2-36	$\frac{3}{4}$ "	36	56	54	44	23
MS2-41	$\frac{3}{4}$ "	41	58	60	44	24
MS2-46	$\frac{3}{4}$ "	46	63	67	44	30
MS2-50	$\frac{3}{4}$ "	50	72	71	54	32
MS2-55	$\frac{3}{4}$ "	55	74	78	54	35
MS2-60	$\frac{3}{4}$ "	60	75	84	54	37
MS9-24	1"	24	58	42	54	17
MS9-27	1"	27	58	46	54	17
MS9-30	1"	30	60	50	54	21
MS9-32	1"	32	60	51	54	21
MS9-36	1"	36	65	56	54	30
MS9-41	1"	41	67	63	54	31
MS9-46	1"	46	74	69	54	36
MS9-50	1"	50	80	74	54	42
MS9-55	1"	55	84	80	54	44
MS9-60	1"	60	87	86	54	44
MS9-65	1"	65	90	92	54	46
MS9-70	1"	70	96	99	54	51
MS9-75	1"	75	98	106	86	45
MS9-80	1"	80	100	112	86	48
MS9-85	1"	85	105	118	86	52
MS9-90	1"	90	105	125	86	52
MS9-95	1"	95	115	131	86	52
MS9-100	1"	100	115	137	95	58

Model number	Square drive	Nut AF mm	Dimensions in mm			
			A	B	C	D
MS5-36	$1\frac{1}{2}$ "	36	78	64	86	23
MS5-41	$1\frac{1}{2}$ "	41	80	70	86	26
MS5-46	$1\frac{1}{2}$ "	46	84	76	86	27
MS5-50	$1\frac{1}{2}$ "	50	87	81	86	29
MS5-55	$1\frac{1}{2}$ "	55	90	86	86	36
MS5-60	$1\frac{1}{2}$ "	60	92	93	86	38
MS5-65	$1\frac{1}{2}$ "	65	95	97	86	40
MS5-70	$1\frac{1}{2}$ "	70	100	105	86	43
MS5-75	$1\frac{1}{2}$ "	75	103	110	86	45
MS5-80	$1\frac{1}{2}$ "	80	110	116	86	50
MS5-85	$1\frac{1}{2}$ "	85	118	125	86	55
MS5-90	$1\frac{1}{2}$ "	90	118	130	86	55
MS5-95	$1\frac{1}{2}$ "	95	118	137	95	55
MS5-100	$1\frac{1}{2}$ "	100	125	140	95	58
MS5-105	$1\frac{1}{2}$ "	105	125	150	95	58
MS5-110	$1\frac{1}{2}$ "	110	125	156	95	58
MS5-115	$1\frac{1}{2}$ "	115	135	160	95	65
MS5-130	$1\frac{1}{2}$ "	130	140	185	127	70
MS6-80	$2\frac{1}{2}$ "	80	140	124	127	51
MS6-85	$2\frac{1}{2}$ "	85	140	130	127	51
MS6-90	$2\frac{1}{2}$ "	90	145	136	127	54
MS6-95	$2\frac{1}{2}$ "	95	145	143	127	54
MS6-100	$2\frac{1}{2}$ "	100	150	149	127	57
MS6-105	$2\frac{1}{2}$ "	105	155	155	127	61
MS6-110	$2\frac{1}{2}$ "	110	160	161	127	64
MS6-115	$2\frac{1}{2}$ "	115	165	167	127	67
MS6-130	$2\frac{1}{2}$ "	130	175	188	127	75
MS6-145	$2\frac{1}{2}$ "	145	185	208	127	83