

MHP-PU - MANUALLY OPERATED HYDROTEST PUMPS



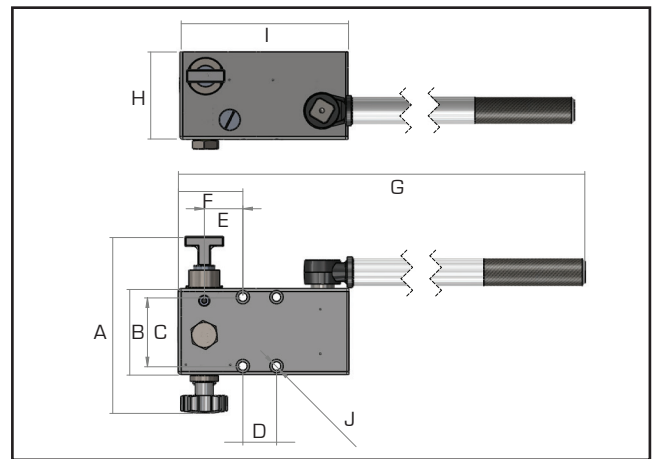
MHP300PU

The Hi-Force MHP-PU series offer the same features as the MHP range on page 120 however these are supplied as a pump unit only without a fluid reservoir. The pump unit is supplied complete with a mounting kit for easy attachment to any specially designed fluid reservoir and an operating lever.

Choice of 5 different models

Supplied complete with fixing kit

Compact, lightweight and easy to operate



Weight kg	Dimensions in mm (all models)									
	A	B	C	D	E	F	G	H	I	J
5.0	183.0	89.0	71.5	35.0	40.0	67.0	760.0	92.0	177.0	4 X M8

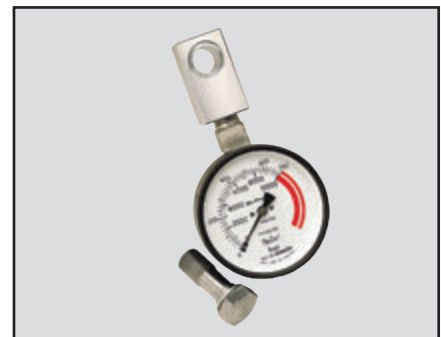
RESERVOIR

Model number	Description
MHR15	15 litre standard reservoir



PRESSURE GAUGES

Model number	Pressure range Bar
MHP100GK	110
MHP300GK	310
MHP500GK	552
MHP700GK	700
MHP1000GK	1000



HOSES

Model Number	Max W.P Bar	Length (metres)	End Fitting	For model number
HH3-6NMS-1	up to 300	3	3/8" NPT Male Swivel	MHP100 & MHP300
HH3-6NMS-2	up to 700	3	3/8" NPT Male Swivel	MHP500 & MHP700
HH3-6NMS-3	1000	3	3/8" NPT Male Swivel	MHP1000

