

**JS | JAW SPREADER**

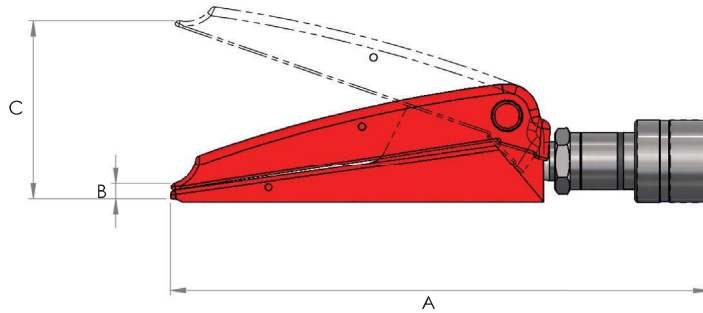


**Capacity 0.9 tonnes**

**Maximum spread 84 mm**

**Working pressure 700 bar**

- ▶ Single acting, spring assisted return
- ▶ Narrow design requires access gap of only 13 mm
- ▶ High strength forged steel construction
- ▶ Easy connection to hydraulic pump and hose using supplied quick connect coupling
- ▶ Compact, lightweight and easy to use



Model number	Capacity (tonnes)	Oil capacity (cm <sup>3</sup> )	Weight (kg)	Dimensions (mm)		
				A	B	C
JS4	0.9	10	2.2	234	13	84