

JCS & JCH | COMPACT JACKS

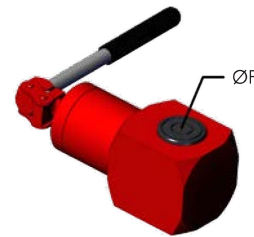
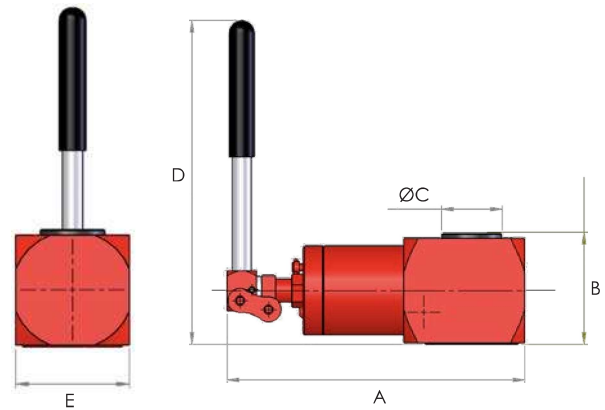


Capacities from 10 to 30 tonnes

Stroke lengths from 35 to 45 mm

Lightweight and compact

- ▶ Spring assisted piston retraction (JCS)
- ▶ Load return piston (JCH)
- ▶ Nitrocarburised piston rod for corrosion resistance
- ▶ 360 degree positional pumping mechanism for increased versatility
- ▶ Internal safety overload valve



JCS - SOLID PISTON

Model number	Capacity (tonnes)	Body construction	Stroke (mm)	Weight (kg)
JCS10	10	Steel	35	4.5
JCS20	20	Aluminium	41	5.5
JCS30	30	Aluminium	45	8.0

Dimensions (mm)					
A	B	C	D	E	F
240	76	38	266	70	-
257	102	51	281	102	-
281	112	60	285	125	-

JCH - HOLLOW PISTON

Model number	Capacity (tonnes)	Body construction	Stroke (mm)	Weight (kg)
JCH13	13	Aluminium	41	5.5
JCH21	21	Aluminium	45	8.0

Dimensions (mm)					
A	B	C	D	E	F
257	95	51	281	102	25
281	114	60	285	125	35