

**TORQUE WRENCH PUMP ACCESSORIES**



Hose lengths up to 100 metres

Supplied with quick connect couplings

Working pressure 700 bar

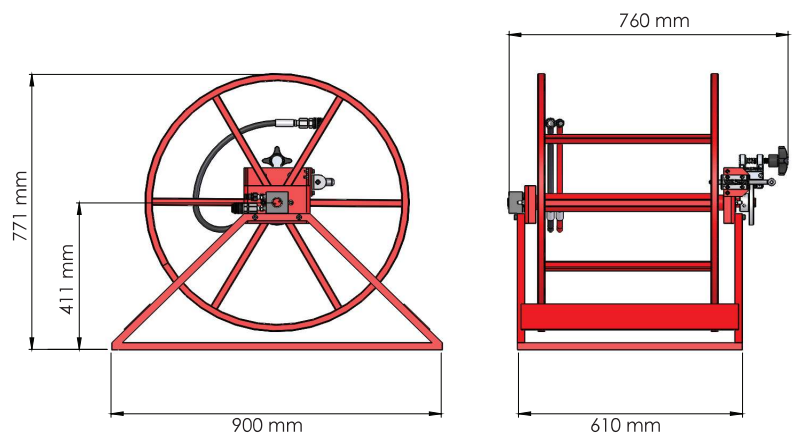
**Torque Wrench Hoses and Couplers**

- ▶ High quality hydraulic torque wrench bonded twin hose sets
- ▶ Maximum working pressure of 700 bar with 4:1 safety factor
- ▶ Ergonomically designed protective, strain reliever hand grips on both ends

Model number	Description	Weight (kg)
HTWH4	Bonded twin hoses with quick connect couplers, length 4 metres	3.5
HTWH5	Bonded twin hoses with quick connect couplers, length 5 metres	3.8
HTWH6	Bonded twin hoses with quick connect couplers, length 6 metres	4.6
HTWH8	Bonded twin hoses with quick connect couplers, length 8 metres	5.3
HTWH10	Bonded twin hoses with quick connect couplers, length 10 metres	6.8
HTWH50	Bonded twin hoses with quick connect couplers, length 50 metres	31.2
HTWH75	Bonded twin hoses with quick connect couplers, length 75 metres	46.6
HTWH100	Bonded twin hoses with quick connect couplers, length 100 metres	61.7
CF4F	Female half coupler, 1/4" NPT Female	0.3
CM4F	Male half coupler, 1/4" NPT Female	0.3

**HTWR1 Torque Wrench Hose Reel**

- ▶ Accommodates twin line hoses up to 100 metres length
- ▶ Supplied with twin 0.5 metres lead hose for easy connection to main line hoses
- ▶ Disc brake allows for hose release speed control
- ▶ Fixing holes at the base of frame
- ▶ Weight 37 kg



*Note:* We recommend the use of HTWR1 hose reel with hose lengths of 50 metres or more.