

HSS | SINGLE ACTING MULTI-PURPOSE CYLINDERS

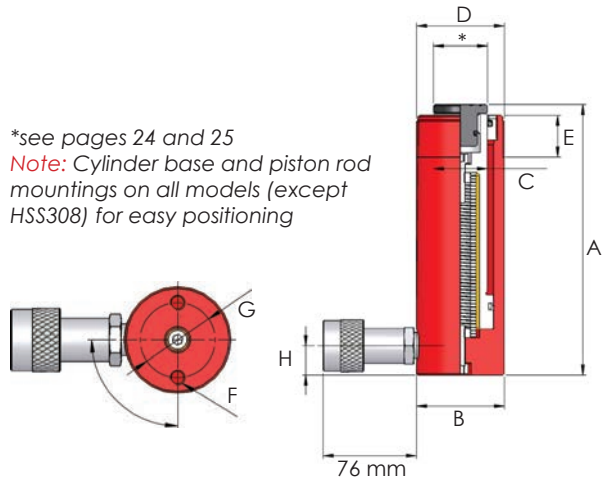


- ▶ Single acting, spring assisted return
- ▶ Nitrocarburised piston rod for corrosion resistance
- ▶ Low friction bearing surfaces
- ▶ Anti-extrusion seals for improved performance at high pressures
- ▶ Collar threads withstand full load
- ▶ Grooved saddles fitted as standard on all models
- ▶ Optional piston rod saddles listed on pages 24 and 25

Capacities from 4.5 to 109 tonnes

Stroke lengths from 25 to 457 mm

Working pressure 700 bar



Model number	Capacity (tonnes)	Stroke (mm)	Oil capacity (cm ³)	Cylinder eff. area (cm ²)	Weight (kg)
HSS51	4.5	25	16	6.4	1.0
HSS52	4.5	50	32	6.4	1.2
HSS53	4.5	75	48	6.4	1.4
HSS54	4.5	100	64	6.4	1.5
HSS55	4.5	125	80	6.4	1.8
HSS57	4.5	176	113	6.4	2.0
HSS59	4.5	227	146	6.4	2.4
HSS101	10	25	36	14.4	1.8
HSS102	10	56	81	14.4	2.4
HSS104	10	100	144	14.4	3.0
HSS106	10	150	217	14.4	4.2
HSS108	10	206	297	14.4	5.0
HSS1010	10	250	361	14.4	5.4
HSS1012	10	305	440	14.4	6.2
HSS152	14.5	50	101	20.3	3.4
HSS154	14.5	100	203	20.3	5.0
HSS156	14.5	150	304	20.3	6.6
HSS1510	14.5	250	507	20.3	8.8
HSS252	25	51	178	34.9	6.5
HSS254	25	102	356	34.9	8.0
HSS256	25	150	524	34.9	9.6
HSS258	25	203	709	34.9	11.2
HSS2510	25	250	874	34.9	12.6
HSS2514	25	356	1242	34.9	16.8
HSS2518	25	457	1597	34.9	21.4
HSS308	29	205	860	41.9	18.6
HSS502	50	51	364	71.3	13.0
HSS504	50	102	728	71.3	16.8
HSS506	50	152	1084	71.3	20.0
HSS508	50	203	1448	71.3	23.2
HSS5013	50	330	2354	71.3	33.6
HSS756	73	152	1561	102.7	31.0
HSS1004	109	102	1565	153.4	41.6
HSS1006	109	153	2347	153.4	49.8
HSS10010	109	254	3896	153.4	65.5

Dimensions (mm) (unless otherwise stated)								
A	B	C	D	E	F	G	H	
107	38	24	1 1/2"-16 UN	28	M6	25	19	
132	38	24	1 1/2"-16 UN	28	M6	25	19	
157	38	24	1 1/2"-16 UN	28	M6	25	19	
182	38	24	1 1/2"-16 UN	28	M6	25	19	
207	38	24	1 1/2"-16 UN	28	M6	25	19	
258	38	24	1 1/2"-16 UN	28	M6	25	19	
308	38	24	1 1/2"-16 UN	28	M6	25	19	
100	57	35	2 1/4"-14 UN	27	M8	40	19	
131	57	35	2 1/4"-14 UN	27	M8	40	19	
175	57	35	2 1/4"-14 UN	27	M8	40	19	
225	57	35	2 1/4"-14 UN	27	M8	40	19	
281	57	35	2 1/4"-14 UN	27	M8	40	19	
325	57	35	2 1/4"-14 UN	27	M8	40	19	
379	57	35	2 1/4"-14 UN	27	M8	40	19	
154	70	41	2 3/4"-16 UN	39	M10	48	19	
204	70	41	2 3/4"-16 UN	39	M10	48	19	
254	70	41	2 3/4"-16 UN	39	M10	48	19	
354	70	41	2 3/4"-16 UN	39	M10	48	19	
174	86	54	3 5/8"-12 UN	49	M12	60	25	
225	86	54	3 5/8"-12 UN	49	M12	60	25	
273	86	54	3 5/8"-12 UN	49	M12	60	25	
324	86	54	3 5/8"-12 UN	49	M12	60	25	
374	86	54	3 5/8"-12 UN	49	M12	60	25	
480	86	54	3 5/8"-12 UN	49	M12	60	25	
611	86	54	3 5/8"-12 UN	49	M12	60	25	
374	102	57	3 5/8"-12 UN	50	-	-	50	
150	127	79	5"-12 UN	55	M12	85	20	
201	127	79	5"-12 UN	55	M12	85	20	
251	127	79	5"-12 UN	55	M12	85	20	
302	127	79	5"-12 UN	55	M12	85	20	
429	127	79	5"-12 UN	55	M12	85	20	
272	146	95	5 3/4"-12 UN	45	M12	115	32	
223	185	114	6 7/8"12 UN	50	M12	146	32	
274	185	114	6 7/8"12 UN	50	M12	146	32	
375	185	114	6 7/8"12 UN	50	M12	146	32	