

HSG | SINGLE ACTING LOAD RETURN HIGH TONNAGE CONSTRUCTION CYLINDERS

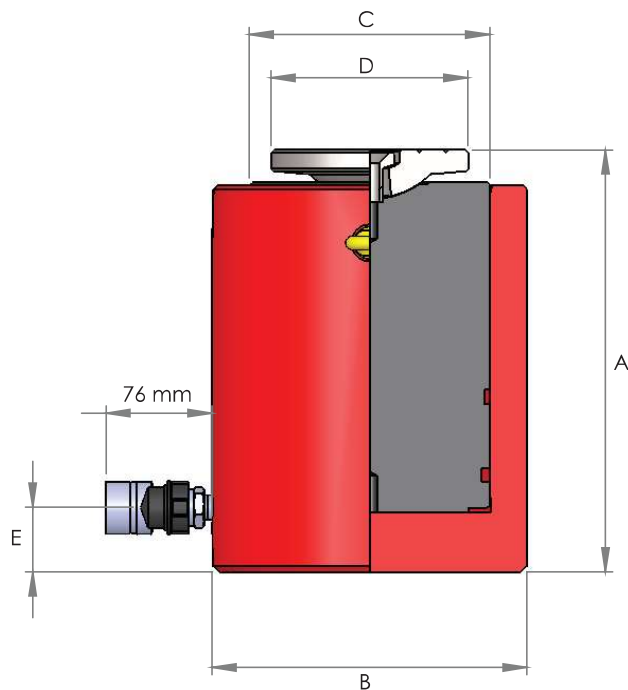


Capacities from 152 to 326 tonnes

Stroke length 152 mm

Working pressure 700 bar

- ▶ Single acting, load return
- ▶ Heavy duty design for construction, civil engineering and heavy fabrication applications
- ▶ Overstroke restrictor port to prevent over extension of piston
- ▶ Tilting saddle fitted as standard to reduce the risk of side loading
- ▶ Nitrocarburised cylinder body and piston rod for corrosion resistance
- ▶ Low friction bearing surfaces
- ▶ Anti-extrusion seals for improved performance at high pressures
- ▶ Saddle and piston rod details are listed on pages 24 and 25



Model number	Capacity (tonnes)	Stroke (mm)	Oil capacity (litres)	Cylinder eff. area (cm ²)	Weight (kg)	Dimensions (mm)				
						A	B	C	D	E
HSG1506	152	152	3.21	214.3	77.5	293	216	165.1	135	45
HSG2006	203	152	4.34	285.1	107.7	296	254	190.5	135	45
HSG3006	326	152	6.99	457.7	175.2	326	312	241.3	150	50