

HP - MANUALLY OPERATED PUMPS - HIGH FLOW



HP245D

High flow manual pump

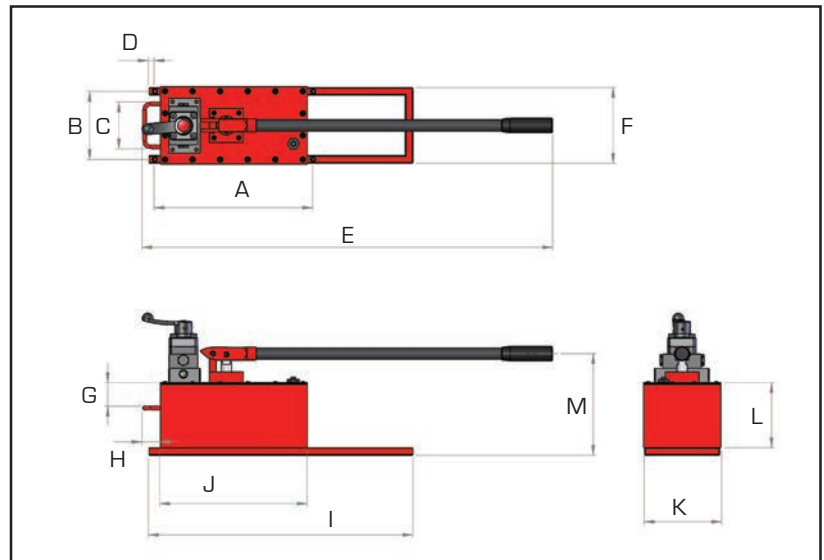
Working pressure 700 Bar

2 stage with semi automatic change-over

C

The HP245 range of high flow, two speed, manually operated pumps is ideally suited for applications where high tonnage cylinders are to be used on sites, without any available electric or compressed air power supply. Both models are suitable for working pressures up to 700 Bar and the very high, low pressure displacement (113 cm³ per stroke), enables fast piston extension (and retraction) under no load. These high performance pumps are also ideally suited to multiple cylinder lifting applications where a larger volume of oil is required to complete the job. Available with a 2-way valve for single acting cylinders or a 4-way valve for double acting cylinders, both models are supplied with a pre-filled 10 litre oil reservoir and are ready for immediate use.

- >> Durable steel construction
- >> Factory set safety relief valve
- >> Changeover pressure 28 Bar
- >> Low handle effort characteristics
- >> 10 litres of usable oil capacity



Model number	Valve type	Displacement per stroke cm ³		Usable oil cap. litres	Handle effort kg	Material	Weight kg
		1 st stage	2 nd stage				
Two speed hand operated pump for single acting cylinders and tools							
HP245	2-Way	113	4	10	40	Steel	29.5
Two speed hand operated pump for double acting cylinders and tools							
HP245D	4-Way	113	4	10	40	Steel	31.0

Model number	Dimensions in mm												
	A	B	C	D	E	F	G	H	I	J	K	L	M
HP245	420	180	124	15	1050	200	63	47	700	390	205	173	270
HP245D	420	180	124	15	1050	200	63	47	700	390	205	173	270