

MANIFOLDS

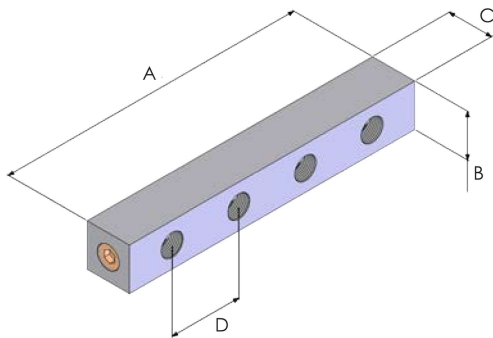


Working pressure 700 bar

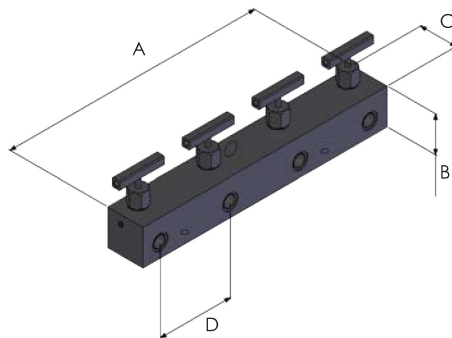
Choice of open or controlled manifolds

2, 4, 5, 6 or 8 outlet port models available

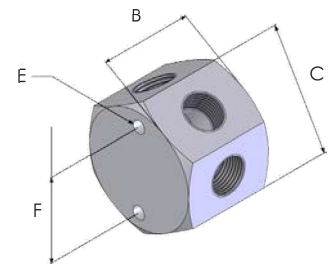
- ▶ Designed for easy control of the direction of flow of the hydraulic fluid within the system
- ▶ Available as open manifold blocks or with individual needle type shut off/throttle valves on each outlet



HM* & HM*L



HM*C



HM5

Model number	Type	Design	Number of outlets	Connection ports female threads		Weight (kg)	Dimensions (mm)					
				Inlet	Outlet		A	B	C	D	E	F
HM2	open manifold	parallel	2	3/8" -18 NPT	2 x 3/8" -18 NPT	1.0	114	32	32	50	-	-
HM4	open manifold	parallel	4	3/8" -18 NPT	4 x 3/8" -18 NPT	1.5	214	32	32	50	-	-
HM5	open manifold	hexagon	5	3/8" -18 NPT	5 x 3/8" -18 NPT	0.7	-	41	51	-	M6	38
HM6	open manifold	parallel	6	3/8" -18 NPT	6 x 3/8" -18 NPT	2.0	314	32	32	50	-	-
HM8	open manifold	parallel	8	3/8" -18 NPT	8 x 3/8" -18 NPT	2.5	414	32	32	50	-	-
HM4L	open manifold	extended parallel	4	3/8" -18 NPT	4 x 3/8" -18 NPT	2.4	394	32	32	110	-	-
HM6L	open manifold	extended parallel	6	3/8" -18 NPT	6 x 3/8" -18 NPT	3.7	614	32	32	110	-	-
HM2C	controlled manifold	parallel	2	3/8" -18 NPT	2 x 3/8" -18 NPT	2.0	150	51	38	100	-	-
HM4C	controlled manifold	parallel	4	3/8" -18 NPT	4 x 3/8" -18 NPT	3.5	350	51	38	100	-	-