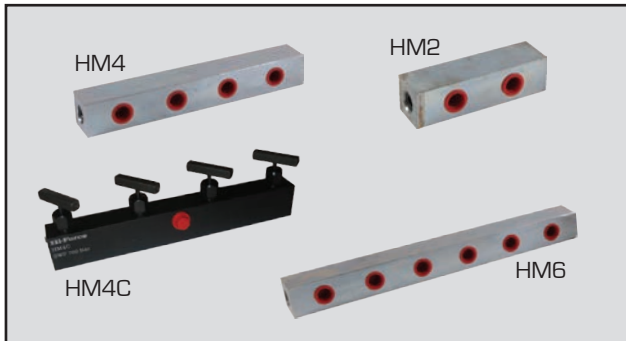


MANIFOLDS



Working pressure 700 Bar

Choice of open or controlled manifolds

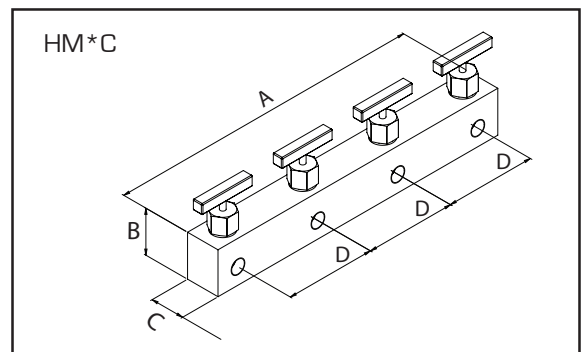
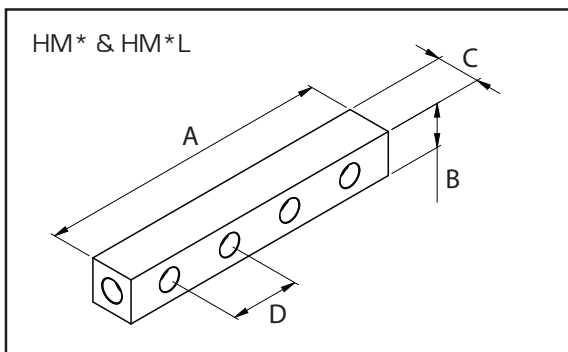
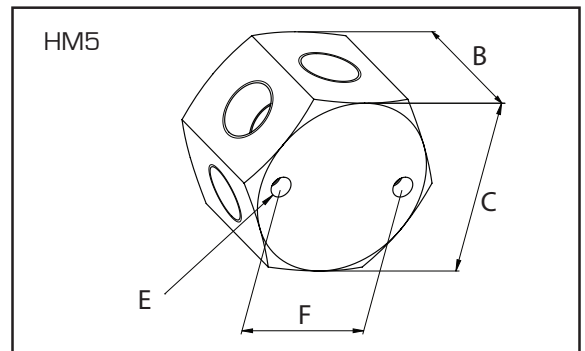
2, 4, 5, 6 or 8 outlet port models available

D

Hi-Force manifolds are designed specifically to allow easy control of the direction of flow of the hydraulic fluid within the system. Supplied either as open manifold blocks or with individual needle type shut off/throttle valves on each 3/8" NPT outlet, Hi-Force manifolds provide even greater versatility in your hydraulic system. The range offers 9 models with a choice of up to 8 outlets per manifold and all models are suitable for 700 Bar maximum working pressure.



Manifolds are used in conjunction with Hi-Force manual and powered pumps. Refer to catalogue pages 29 - 50 for a full of range of pumps.



Model number	Type	Design	Number of outlets	Female Threads		Weight kg	Dimensions in mm					
				Inlet	Outlet		A	B	C	D	E	F
HM2	manifold	parallel	2	3/8"-18NPT	2 x 3/8"-18NPT	1.0	114	32	32	50	-	-
HM4	manifold	parallel	4	3/8"-18NPT	4 x 3/8"-18NPT	1.5	214	32	32	50	-	-
HM5	manifold	hexagon	5	3/8"-18NPT	5 x 3/8"-18NPT	0.7	-	41	51	-	M6	38
HM6	manifold	parallel	6	3/8"-18NPT	6 x 3/8"-18NPT	2.0	314	32	32	50	-	-
HM8	manifold	parallel	8	3/8"-18NPT	8 x 3/8"-18NPT	2.5	414	32	32	50	-	-
HM4L	manifold	extended parallel	4	3/8"-18NPT	4 x 3/8"-18NPT	2.4	394	32	32	110	-	-
HM6L	manifold	extended parallel	6	3/8"-18NPT	6 x 3/8"-18NPT	3.7	614	32	32	110	-	-
HM2C	controlled manifold	parallel	2	3/8"-18NPT	2 x 3/8"-18NPT	2.0	150	51	38	100	-	-
HM4C	controlled manifold	parallel	4	3/8"-18NPT	4 x 3/8"-18NPT	3.5	350	51	38	100	-	-