

HHS | SINGLE ACTING HOLLOW PISTON CYLINDERS



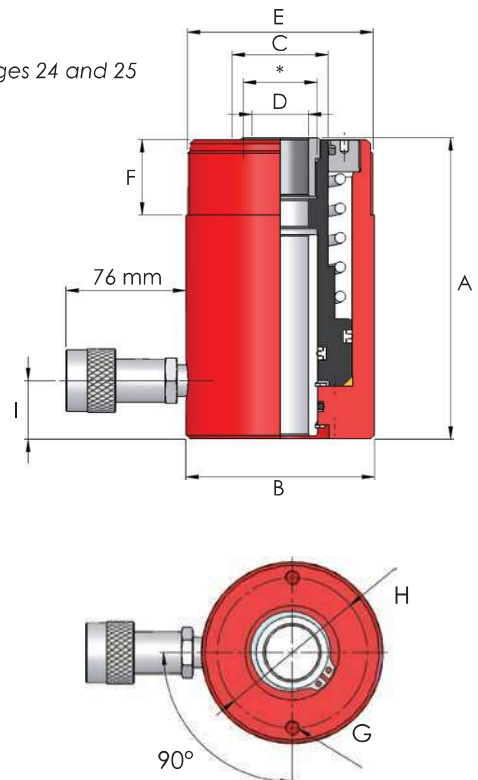
Capacities from 11 to 102 tonnes

Stroke lengths from 25 to 152 mm

Working pressure 700 bar

- ▶ Single acting, spring assisted return
- ▶ Hollow piston design for tooling, maintenance and tensioning applications
- ▶ Nitrocarburised piston rod for corrosion resistance
- ▶ Low friction bearing surfaces
- ▶ Anti-extrusion seals for improved performance at high pressures
- ▶ Collar threads withstand full load
- ▶ Optional piston rod saddles listed on pages 24 and 25

*see pages 24 and 25



Model number	Capacity (tonnes)	Stroke (mm)	Oil capacity (cm ³)	Cylinder eff. area (cm ²)	Weight (kg)	Dimensions (mm) <i>(unless otherwise stated)</i>								
						A	B	C	D	E	F	G	H	I
HHS101	11	25	39	15.8	2.8	110	70	38	20	2 3/4"-16 UN	30	M8	51	19
HHS102	11	50	79	15.8	3.0	140	70	38	20	2 3/4"-16 UN	30	M8	51	19
HHS106	11	152	240	15.8	10.2	297	70	38	20	2 3/4"-16 UN	30	M8	51	19
HHS202	23	50	167	33.3	7.0	160	100	51	30	3 7/8"-12 UN	40	M8	82.5	31
HHS206	23	150	500	33.3	13.8	306	100	51	30	3 7/8"-12 UN	40	M8	82.5	31
HHS302	33	50	233	46.7	10.6	165	115	60	35	4 1/2"-12 UN	40	M8	92	31
HHS306	33	152	710	46.7	19.2	320	115	60	35	4 1/2"-12 UN	40	M8	92	31
HHS603	61	76	651	85.7	28.0	226	160	92	55	6 1/4"-12 UN	59	M12	130	31
HHS606	61	150	1285	85.7	40.6	315	160	92	55	6 1/4"-12 UN	59	M12	130	31
HHS1003	102	76	1088	143.1	64.0	276	213	127	81	8 3/8"-12 UN	60	M16	178	45
HHS1006	102	150	2147	143.1	75.0	350	213	127	81	8 3/8"-12 UN	60	M16	178	45