

**HFS-H | HYDRAULIC FLANGE SPREADERS**

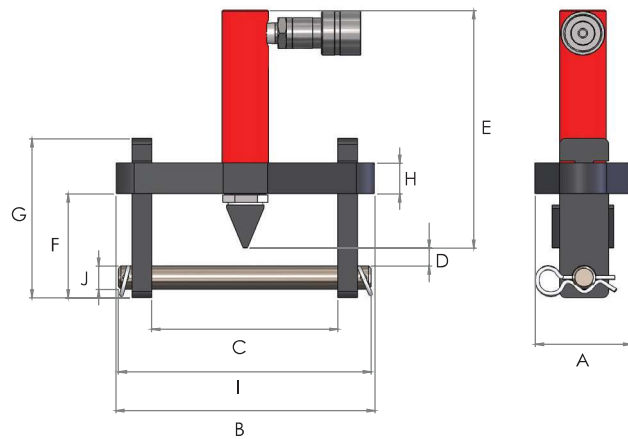


Capacities from 4.5 to 10 tonnes

Quick and easy to assemble on flange

Working pressure 700 bar

- ▶ Single acting, spring assisted return cylinder for fast and safe operation
- ▶ Capable of opening flanges up to 2 x 92 mm thick
- ▶ Suitable for fitment on flanges with maximum bolt size of 41 mm (1 5/8")
- ▶ Spreading range from 61 to 224 mm
- ▶ Lightweight ergonomic design for ease of use



Model number	Capacity (tonnes)	Stroke (mm)	Oil capacity (cm <sup>3</sup> )	Maximum flange thickness (mm)	Stud size (mm)	Standard wedge (mm)	Weight (kg)
HFS50H	4.5	75	48	2 x 57	19 - 29	3 - 29	5.0
HFS100H	10	56	81	2 x 92	32 - 41	3 - 29	11.6

Model number	Dimensions (mm)										
	A	B	C (min)	C (max)	D	E	F	G	H	I	J
HFS50H	76	210	61	155	10	192	69	129	25	206	18
HFS100H	108	290	61	224	30	165	89	178	38	273	31