

HEP3 - ELECTRIC DRIVEN PUMPS - GENERAL DUTY HIGH FLOW

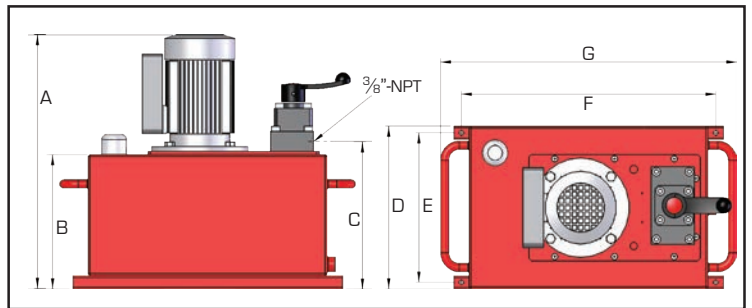


Low pressure flow rate 10 ltr/min. up to 70 Bar

High pressure flow rate 1 ltr/min. up to 700 Bar

Two stage hydraulic pump unit

- >> Externally adjustable pressure relief valve
- >> Manual valve with load holding feature fitted as standard (excl. 2-way valves)
- >> Solenoid valve options available



| Model number | Valve type | Oil cap. litres | Motor kW | Motor voltage | Weight kg |
|--------------|------------|-----------------|----------|-------------------|-----------|
| HEP310121 | P-T Plate | 25 | 2.2 | 110 / 115 V - 1Ph | 63.5 |
| HEP310122 | P-T Plate | 25 | 2.2 | 220 / 240 V - 1Ph | 63.5 |
| HEP310124 | P-T Plate | 25 | 2.2 | 380 / 440 V - 3Ph | 63.5 |
| HEP310141 | P-T Plate | 40 | 2.2 | 110 / 115 V - 1Ph | 88.5 |
| HEP310142 | P-T Plate | 40 | 2.2 | 220 / 240 V - 1Ph | 88.5 |
| HEP310144 | P-T Plate | 40 | 2.2 | 380 / 440 V - 3Ph | 88.5 |
| HEP310221 | 2-way | 25 | 2.2 | 110 / 115 V - 1Ph | 64.0 |
| HEP310222 | 2-way | 25 | 2.2 | 220 / 240 V - 1Ph | 64.0 |
| HEP310224 | 2-way | 25 | 2.2 | 380 / 440 V - 3Ph | 64.0 |
| HEP310241 | 2-way | 40 | 2.2 | 110 / 115 V - 1Ph | 89.0 |
| HEP310242 | 2-way | 40 | 2.2 | 220 / 240 V - 1Ph | 89.0 |
| HEP310244 | 2-way | 40 | 2.2 | 380 / 440 V - 3Ph | 89.0 |
| HEP310321 | 3-way | 25 | 2.2 | 110 / 115 V - 1Ph | 64.0 |
| HEP310322 | 3-way | 25 | 2.2 | 220 / 240 V - 1Ph | 64.0 |
| HEP310324 | 3-way | 25 | 2.2 | 380 / 440 V - 3Ph | 64.0 |
| HEP310341 | 3-way | 40 | 2.2 | 110 / 115 V - 1Ph | 89.0 |
| HEP310342 | 3-way | 40 | 2.2 | 220 / 240 V - 1Ph | 89.0 |
| HEP310344 | 3-way | 40 | 2.2 | 380 / 440 V - 3Ph | 89.0 |
| HEP310421 | 4-way | 25 | 2.2 | 110 / 115 V - 1Ph | 64.0 |
| HEP310422 | 4-way | 25 | 2.2 | 220 / 240 V - 1Ph | 64.0 |
| HEP310424 | 4-way | 25 | 2.2 | 380 / 440 V - 3Ph | 64.0 |
| HEP310441 | 4-way | 40 | 2.2 | 110 / 115 V - 1Ph | 89.0 |
| HEP310442 | 4-way | 40 | 2.2 | 220 / 240 V - 1Ph | 89.0 |
| HEP310444 | 4-way | 40 | 2.2 | 380 / 440 V - 3Ph | 89.0 |

| Dimensions in mm | | | | | | |
|------------------|-----|-----|-----|-----|-----|-----|
| A | B | C | D | E | F | G |
| 527 | 227 | 259 | 306 | 281 | 490 | 570 |
| 527 | 227 | 259 | 306 | 281 | 490 | 570 |
| 527 | 227 | 259 | 306 | 281 | 490 | 570 |
| 636 | 336 | 368 | 306 | 281 | 490 | 560 |
| 636 | 336 | 368 | 306 | 281 | 490 | 560 |
| 636 | 336 | 368 | 306 | 281 | 490 | 560 |
| 527 | 227 | 259 | 306 | 281 | 490 | 570 |
| 527 | 227 | 259 | 306 | 281 | 490 | 570 |
| 527 | 227 | 259 | 306 | 281 | 490 | 570 |
| 636 | 336 | 368 | 306 | 281 | 490 | 560 |
| 636 | 336 | 368 | 306 | 281 | 490 | 560 |
| 636 | 336 | 368 | 306 | 281 | 490 | 560 |
| 527 | 227 | 259 | 306 | 281 | 490 | 570 |
| 527 | 227 | 259 | 306 | 281 | 490 | 570 |
| 527 | 227 | 259 | 306 | 281 | 490 | 570 |
| 636 | 336 | 368 | 306 | 281 | 490 | 560 |
| 636 | 336 | 368 | 306 | 281 | 490 | 560 |
| 636 | 336 | 368 | 306 | 281 | 490 | 560 |

Note: For optional extras please see page 50