

## HEP2 - ELECTRIC DRIVEN PUMPS - GENERAL DUTY MEDIUM FLOW

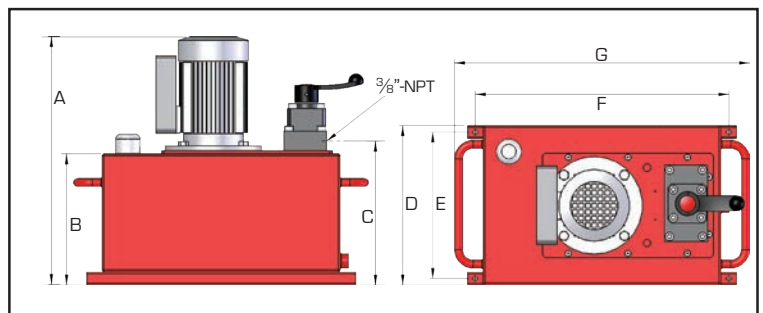


Low pressure flow rate 7 ltr/min. up to 70 Bar

High pressure flow rate 0.65 ltr/min. up to 700 Bar

Two stage hydraulic pump unit

- >> Externally adjustable pressure relief valve
- >> Manual valve with load holding feature fitted as standard (excl. 2-way valves)
- >> Solenoid valve options available



Model number	Valve type	Oil cap. litres	Motor kW	Motor voltage	Weight kg	Dimensions in mm						
						A	B	C	D	E	F	G
HEP207111	P-T Plate	10	1.5	110 / 115 V - 1Ph	47.0	498	198	230	246	221	368	438
HEP207112	P-T Plate	10	1.5	220 / 240 V - 1Ph	47.0	498	198	230	246	221	368	438
HEP207114	P-T Plate	10	1.5	380 / 440 V - 3Ph	47.0	498	198	230	246	221	368	438
HEP207121	P-T Plate	25	1.5	110 / 115 V - 1Ph	63.0	527	227	259	306	281	490	570
HEP207122	P-T Plate	25	1.5	220 / 240 V - 1Ph	63.0	527	227	259	306	281	490	570
HEP207124	P-T Plate	25	1.5	380 / 440 V - 3Ph	63.0	527	227	259	306	281	490	570
HEP207211	2-way	10	1.5	110 / 115 V - 1Ph	47.5	498	198	230	246	221	368	438
HEP207212	2-way	10	1.5	220 / 240 V - 1Ph	47.5	498	198	230	246	221	368	438
HEP207214	2-way	10	1.5	380 / 440 V - 3Ph	47.5	498	198	230	246	221	368	438
HEP207221	2-way	25	1.5	110 / 115 V - 1Ph	63.5	527	227	259	306	281	490	570
HEP207222	2-way	25	1.5	220 / 240 V - 1Ph	63.5	527	227	259	306	281	490	570
HEP207224	2-way	25	1.5	380 / 440 V - 3Ph	63.5	527	227	259	306	281	490	570
HEP207311	3-way	10	1.5	110 / 115 V - 1Ph	47.5	498	198	230	246	221	368	438
HEP207312	3-way	10	1.5	220 / 240 V - 1Ph	47.5	498	198	230	246	221	368	438
HEP207314	3-way	10	1.5	380 / 440 V - 3Ph	47.5	498	198	230	246	221	368	438
HEP207321	3-way	25	1.5	110 / 115 V - 1Ph	63.5	527	227	259	306	281	490	570
HEP207322	3-way	25	1.5	220 / 240 V - 1Ph	63.5	527	227	259	306	281	490	570
HEP207324	3-way	25	1.5	380 / 440 V - 3Ph	63.5	527	227	259	306	281	490	570
HEP207411	4-way	10	1.5	110 / 115 V - 1Ph	47.5	498	198	230	246	221	368	438
HEP207412	4-way	10	1.5	220 / 240 V - 1Ph	47.5	498	198	230	246	221	368	438
HEP207414	4-way	10	1.5	380 / 440 V - 3Ph	47.5	498	198	230	246	221	368	438
HEP207421	4-way	25	1.5	110 / 115 V - 1Ph	63.5	527	227	259	306	281	490	570
HEP207422	4-way	25	1.5	220 / 240 V - 1Ph	63.5	527	227	259	306	281	490	570
HEP207424	4-way	25	1.5	380 / 440 V - 3Ph	63.5	527	227	259	306	281	490	570

Note: For optional extras please see page 50