

HAS | SINGLE ACTING SOLID PISTON ALUMINIUM CYLINDERS

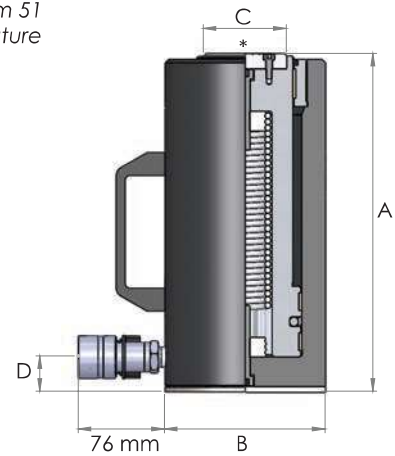


Capacities from 32 to 110 tonnes

Stroke lengths from 51 to 305 mm

Working pressure 700 bar

*see pages 24 and 25
Note: Models from 51 to 110 tonnes feature a handle.



- ▶ Lightweight aluminium cylinders for applications where weight and portability are of prime importance
- ▶ Single acting, spring assisted return
- ▶ Hard anodised piston rod and cylinder for corrosion resistance and increased durability
- ▶ Steel base plate to protect cylinder body
- ▶ Low friction bearing surfaces
- ▶ Anti-extrusion seals for improved performance at high pressures
- ▶ Grooved saddles fitted as standard on all models
- ▶ Optional piston rod saddles listed on pages 24 and 25

Model number	Capacity (tonnes)	Stroke (mm)	Oil capacity (cm ³)	Cylinder eff. area (cm ²)	Weight (kg)	Dimensions (mm)			
						A	B	C	D
HAS302	32	51	225	44.2	4	181	105	50	25
HAS306	32	152	672	44.2	6	282	105	50	25
HAS3012	32	305	1348	44.2	8	435	105	50	25
HAS502	51	51	1136	70.9	8	186	135	70	30
HAS506	51	152	1077	70.9	11	287	135	70	30
HAS5012	51	305	6792	70.9	16	440	135	70	30
HAS1002	110	51	785	153.9	19	216	195	110	41
HAS1006	110	152	2340	153.9	23	317	195	110	41
HAS10012	110	305	4695	153.9	34	470	195	110	41

Note: Other capacities and stroke lengths available on request