

HAP | AIR DRIVEN PUMPS - GENERAL DUTY HIGH FLOW

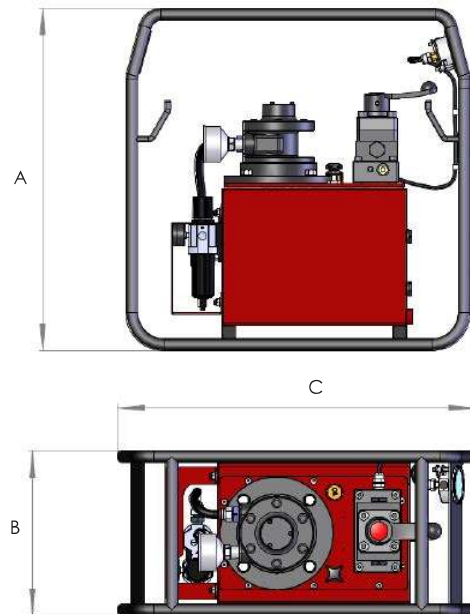


Working pressure 700 bar

Two stage operation

Choice of 10 or 25 litres oil reservoir

- ▶ Driven by a powerful 3 kW rotary air motor with a maximum air consumption of 2.4 m³ per minute at 7 bar inlet air pressure
- ▶ Choice of 2, 3 or 4-way manual control valves with load holding feature on 3 & 4-way versions
- ▶ Externally adjustable pressure relief valve for pressure setting up to a maximum of 700 bar
- ▶ Cable management features for cable/ hose winding and stowage
- ▶ Supplied as standard with pressure gauge, couplers, FRL unit and a robust roll frame



| Model number | Valve type | Oil capacity (litres) | Maximum flow rate (litres/minute) | | Weight (kg) | Dimensions (mm) | | |
|--------------|------------|-----------------------|-----------------------------------|-----------------------|-------------|-----------------|-----|-----|
| | | | 1 st stage | 2 nd stage | | A | B | C |
| HAP21011 | P-T Plate | 10 | 10 | 1.3 | 46.5 | 627 | 292 | 632 |
| HAP21012 | P-T Plate | 25 | 10 | 1.3 | 62.5 | 627 | 352 | 754 |
| HAP21021 | 2-way | 10 | 10 | 1.3 | 47.0 | 627 | 292 | 632 |
| HAP21022 | 2-way | 25 | 10 | 1.3 | 63.0 | 627 | 352 | 754 |
| HAP21031 | 3-way | 10 | 10 | 1.3 | 47.0 | 627 | 292 | 632 |
| HAP21032 | 3-way | 25 | 10 | 1.3 | 63.0 | 627 | 352 | 754 |
| HAP21041 | 4-way | 10 | 10 | 1.3 | 47.0 | 627 | 292 | 632 |
| HAP21042 | 4-way | 25 | 10 | 1.3 | 63.0 | 627 | 352 | 754 |