

## AHP11 - AIR DRIVEN SINGLE STAGE HAND OR FOOT OPERATED PUMPS



Working pressure 700 Bar

Operates from standard 7 Bar air supply

Compact, lightweight & powerful

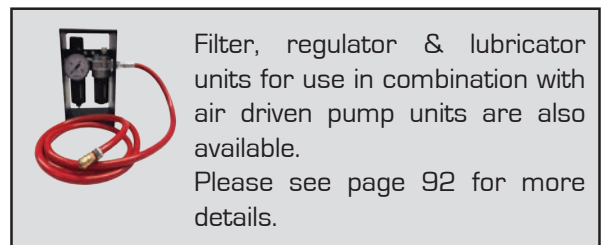
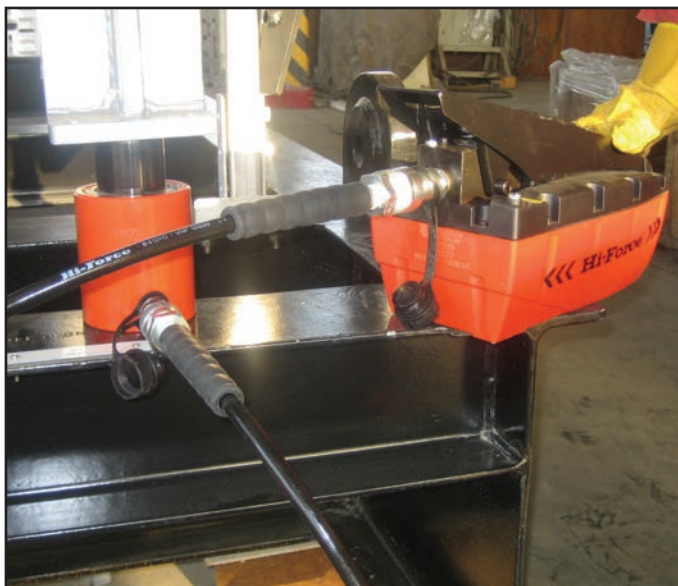
The AHP11 single stage air powered hydraulic pump range provides an economical, portable alternative to manually operated hydraulic pumps. Designed to operate from a standard 7 Bar compressed air supply, these versatile compact pumps are ideally suited for use with Hi-Force hydraulic cylinders and tools in maintenance and construction applications. The ergonomically designed pump treadle can be operated by hand or foot for better versatility. With a choice of reservoir capacities, all models are supplied pre-filled with hydraulic oil ready for immediate use. A full range of system components suitable for use with AHP11 series pumps is detailed on pages 51 - 60.

- >> Choice of 2-way or 4-way control valves
- >> Internal safety overload valve
- >> Reservoir oil sight level gauge
- >> Standard oil reservoir capacities up to 10 litres



OPTIONAL REMOTE PENDANT:

Please suffix model number with 'R' for remote pendant options to suit AHP1120, AHP1121 and AHP1122.



Filter, regulator & lubricator units for use in combination with air driven pump units are also available.

Please see page 92 for more details.

Model number	Maximum pressure bar	Maximum flow rate l/min	Valve type	Usable oil capacity litres	Air inlet connection G	Oil outlet connection NPTF	Weight kg
<b>AHP1120</b>	700	0.8	2-way	2.4	1/4"	3/8"	4.7
<b>AHP1121</b>	700	0.8	2-way	5.0	1/4"	3/8"	9.0
<b>AHP1122</b>	700	0.8	2-way	10.0	1/4"	3/8"	17.8
<b>AHP1141</b>	700	0.8	4-way	5.0	1/4"	3/8"	9.5
<b>AHP1142</b>	700	0.8	4-way	10.0	1/4"	3/8"	18.3

## AHP11 - AIR DRIVEN SINGLE STAGE HAND OR FOOT OPERATED PUMPS

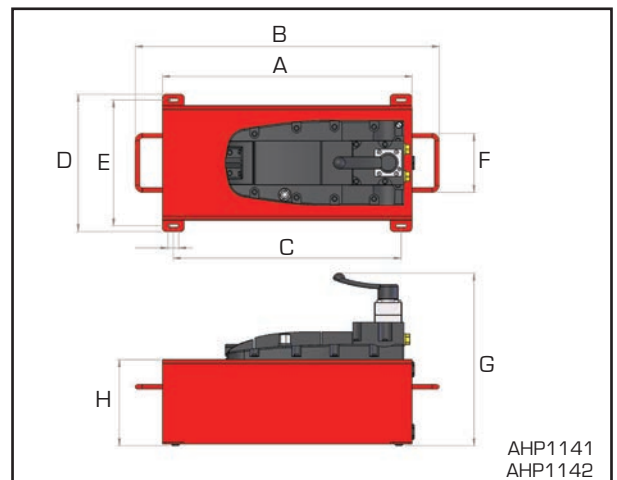
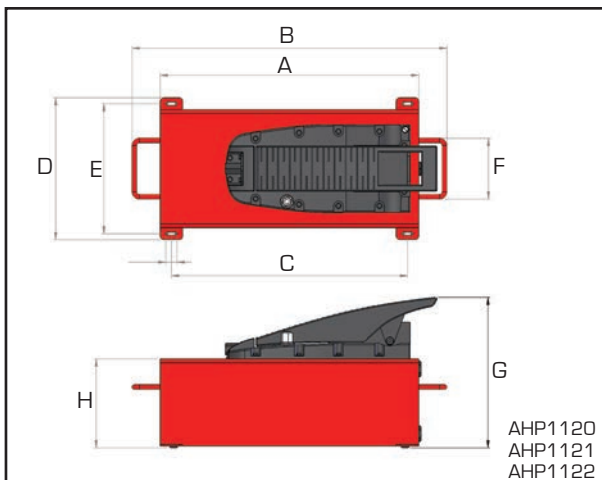
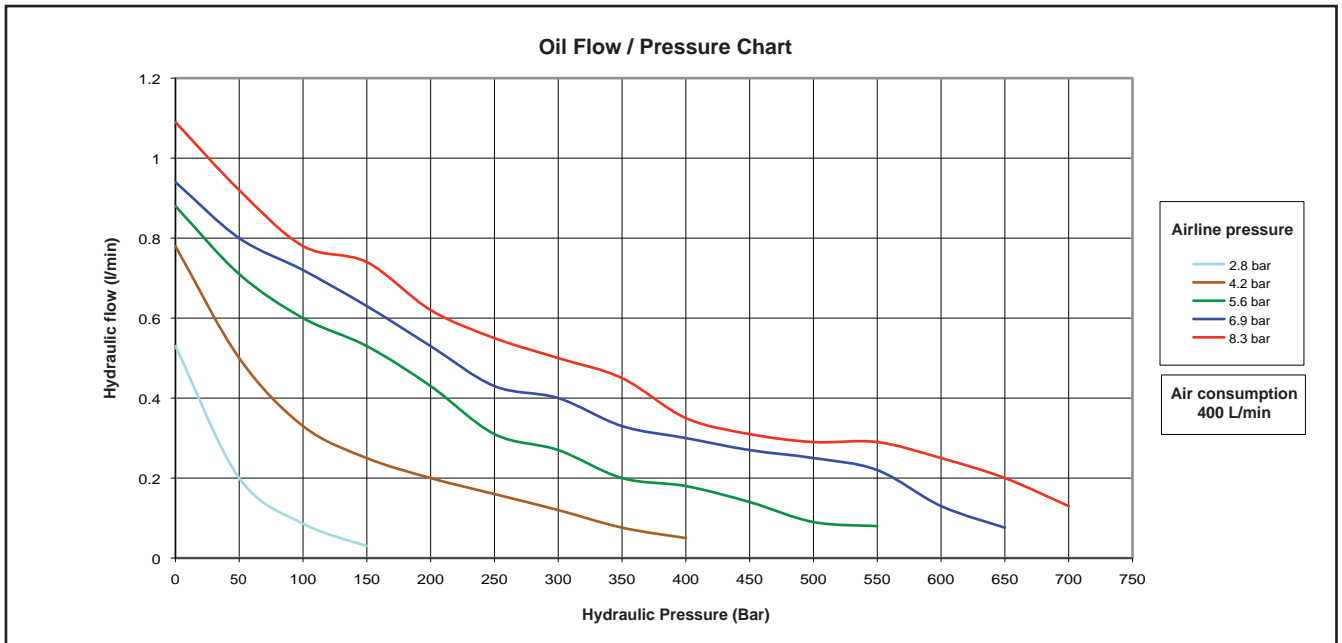


Working pressure 700 Bar

Operates from standard 7 Bar air supply

Compact, lightweight & powerful

C



Model number	Dimensions in mm								
	A	B	C	D	E	F	G	H	
<b>AHP1120</b>	365	*	237	157	66-90	*	210	125	
<b>AHP1121</b>	420	*	380	240	220	*	223	114	
<b>AHP1122</b>	464	560	*	210	*	108	274	158	
<b>AHP1141</b>	420	*	380	240	220	*	265	114	
<b>AHP1142</b>	464	560	*	210	*	*	315	158	

\* Not applicable