

ACP | AUTO-CENTRE HYDRAULIC PULLER KITS

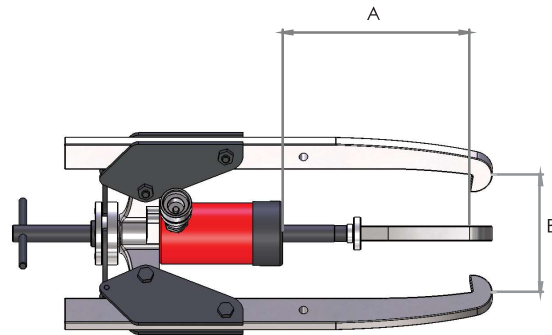


Capacities from 10 to 50 tonnes

Quick set-up time, easy to use

High quality, drop forged steel components

- ▶ Self-centering design allows secure positioning of jaws
- ▶ Incorporates safety overload prevention valve within hydraulic pump
- ▶ Detachable hydraulic system, with hollow bore cylinder, for use in other applications
- ▶ Supplied as a complete set with all necessary hydraulic components in handy storage case
- ▶ Model ACP10 offers choice of either 2-way or 3-way puller operation



Model number	Capacity (tonnes)	Type of puller	Cylinder model number	Pump model number	Weight (kg)	Dimensions (mm)		
						A	B (min)	B (max)
ACP10	10	2 & 3-way jaw	HHS102	HP110	24.5	296	50	350
ACP20	20	3-way jaw	HHS202	HP110	44.0	320	70	480
ACP30	30	3-way jaw	HHS302	HP110	76.5	407	90	580
ACP50	50	3-way jaw	HHS603	HP227	181.0	727	120	920